

DALI & Push Dimmable driver - constant voltage 150W

Whole Family

KV-XXXXX-DP 12V 24V DC
25W 50W 75W 80W 100W 120W
150W 200W 300W 320W 360W



■ Features:

- Output constant Voltage
- Range: 200-240VAC
- Built-in active PFC function
- Efficiency up to 88%
- Protections: short circuit/over load/ over temperature
- Cooling by free air convection
- IP66 design for indoor and outdoor installation.
- Dimming function: Built in DALI interface dimming function conform to DALI Protocol IEC62386
- Push dimming function
- Dimming range: 0-100%, LED start at 0.1% possible
- Suitable for intelligent LED lighting



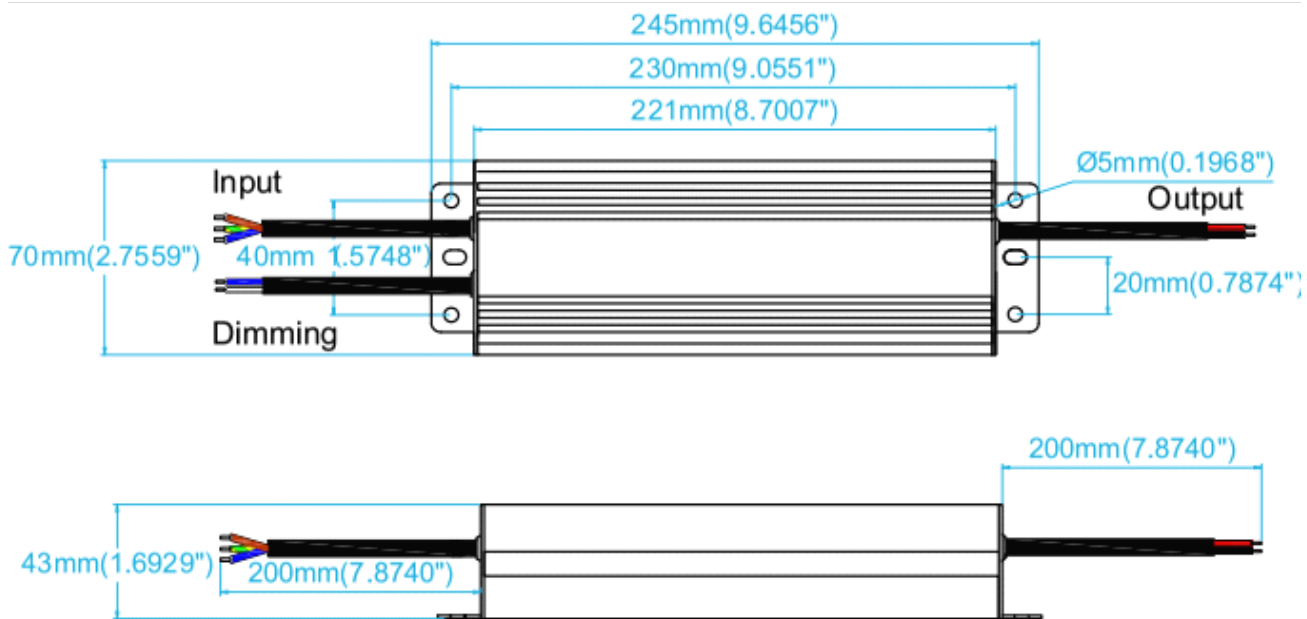
■ Specification

Model		KV-12150-DP	KV-24150-DP
Output	DC Voltage	12V	24V
	Voltage Tolerance	±0.5V	
	Voltage Regulation	± 0.5%	
	Rated current	12.5A	6.25A
	Rated power	150W	
	Load Regulation	±2%	
Input	Voltage Range	200-240VAC	
	Frequency Range	47 - 63Hz	
	Power Factor (Typ.) @ full load	PF≥0.97/230VAC (Full loading)	
	THD (Typ.) @ full load	<20%	
	Efficiency (Typ.) @ full load	87.5%	88.2%
	AC Current (Max.)	1.2A	1.2A
	Inrush Current (Typ.)	56A (Twidth 640us measured at 50% I peak, COLD START, 230VAC)	
	Leakage current	<0.5mA	
Protection	Short Circuit	constant current mode, recover automatically after fault condition is removed	
	Over Load	≤120% constant current limiting, recover automatically after fault condition is removed	
	Over temperature	100°C±10°C	
	Protection Class	I	
Environment	Working TEMP.	-40~+60°C (see below derating curve)	
	Working Humidity	20 - 95%RH, non-condensing	
	Storage TEM., Humidity	-40 - +80°C, 10 - 95%RH	
	TEMP. coefficient	±0.03%/°C (0 - 50°C)	
	Vibration	10~500Hz, 5G 10min./1 cycle, period for 60min. each along X,Y,Z axes	
Safety & EMC	Safety standards	EN61347-1:2015 EN61347-2-13:2014/A1:2017 EN62493:2015 IP66	
	Withstand voltage	I/P-O/P:3.75KVAC I/P-FG:1.88KVAC O/P-FG:0.5KVAC	
	Isolation resistance	I/P-O/P I/P-FG O/P-FG: 100MΩ/500VDC/25°C/70%RH	
	EMC Emission	EN55015 EN61000-3-2 EN61000-3-3	
	EMC Immunity	EN61000-4-2,3,4,5,6,11 EN61547	

DALI & Push Dimmable driver - constant voltage 150W

Others	Net Weight	1.2Kg
	Dimension	245*70*43mm (L*W*H)
	packing	320*270*170mm/10pcs /CTN G.W.:13KG/CTN
Notes	<ol style="list-style-type: none"> All parameters NOT specially mentioned are measured at 230VAC input , rated load and 25°C of ambient temperature. Tolerance: includes set up tolerance, line regulation and load regulation . The power supply is considered as a component that will be operated in combination with final Equipment. Since EMC performance will be affected by the complete installation, the final equipment manufactures must be-qualify EMC Directive on the complete installation again. 	

■ Mechanical Specification



<p>Input</p> <ul style="list-style-type: none"> ● L Brown ● Y/G ● N Blue <p>DIM</p> <ul style="list-style-type: none"> ● DA/N Blue ● DA/L White 	<p>ZHUHAI SHENGCHANG ELECTRONICS CO.,LTD.</p> <p>DALI PUSH DIM corridor FUNCTION</p> <p>Made in China</p>	<p>LED Driver (DALI & PUSH Dimming 2 in 1)</p> <p>Constant Voltage</p> <p>Model: KV-12150-DP</p> <p>Input: 200-240V~ 1.2A 50/60Hz</p> <p>Output: 12V ---12.5A 150W</p> <p>ta:40°C tc:80°C For LED module only</p> <p>Building 3. No.19, Yongtian Road, Qianshan Industrial Zone, Zhuhai City, Guangdong Province, China</p>	<p>• tc</p> <p>SELV</p> <p>IP66</p> <p>Output</p> <ul style="list-style-type: none"> + Red ● - Black ●
--	---	---	---

Input & Output wiring

※Input Rubber cable 3*1.0mm², the green/yellow cable connect with (FG) ,Brown with AC (L),Blue with AC(N)

※Output rubber cable two groups of 2*1.5mm² (12V); one group of 2*1.5mm² (24V); Red is output (V+) Positive,Black is output (V-) negative. Connected to LED Lamps

Dimming wiring

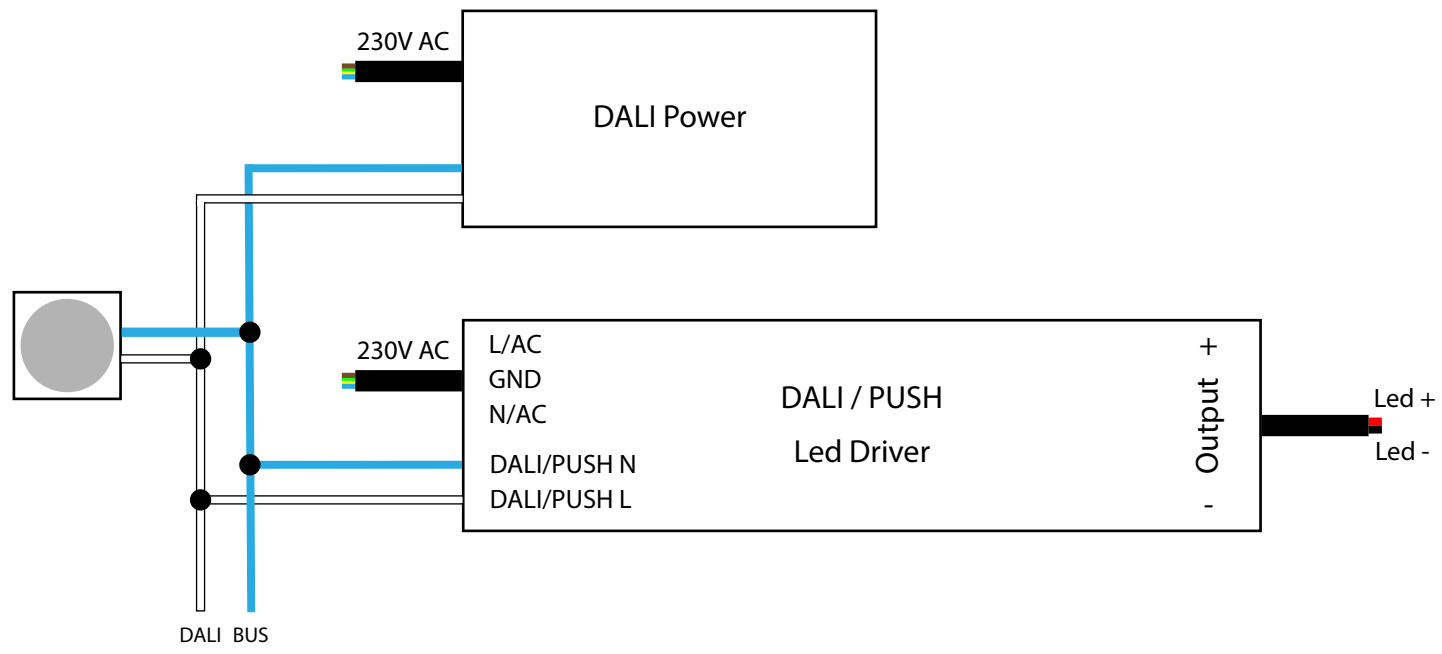
※Dimming Rubber cable 2*0.75mm², Blue DA/N and White DA/L (No polar) connected to the DALI BUS when use DALI function .

Blue (N) is connected to AC (N) while white (L) is connected to Push dim switch dimer(L) when use Push function.

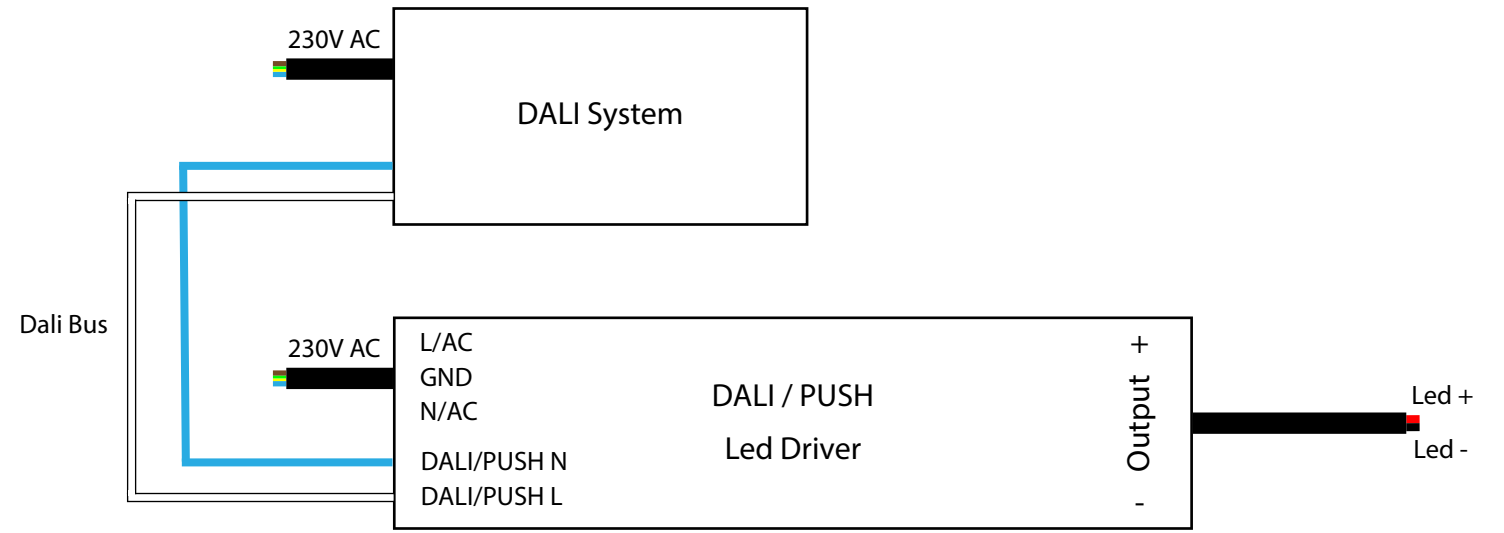
※Please make sure you connect these correctly otherwise your product will not function correctly and could be damaged.

※Note: Any other requests we can customize.

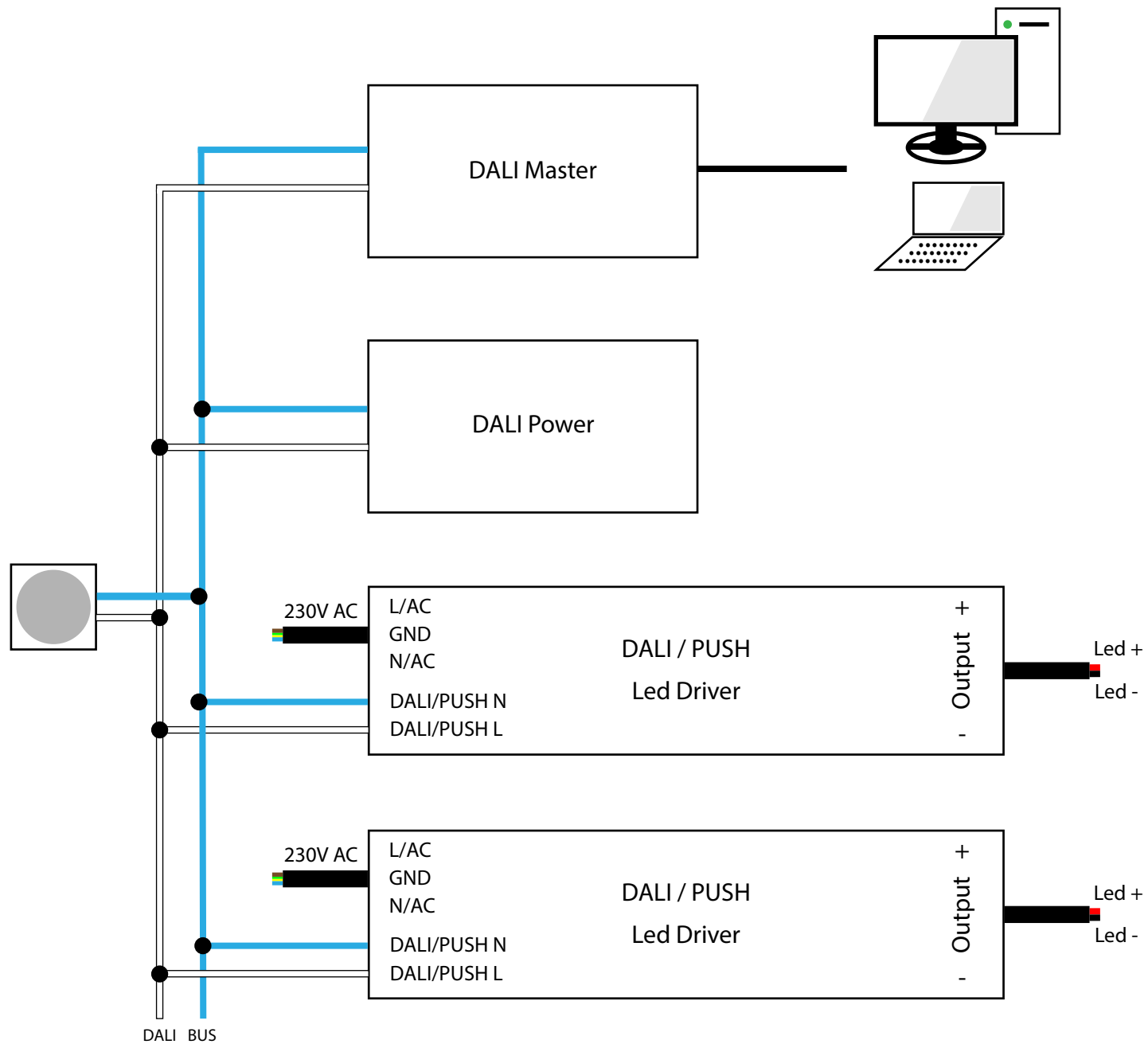
DALI Dæmp



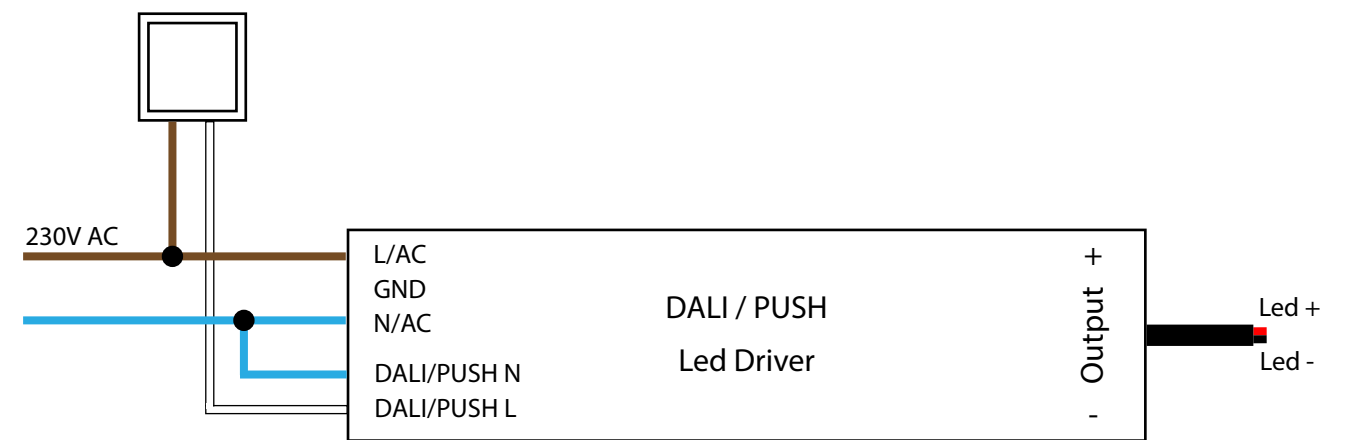
DALI System



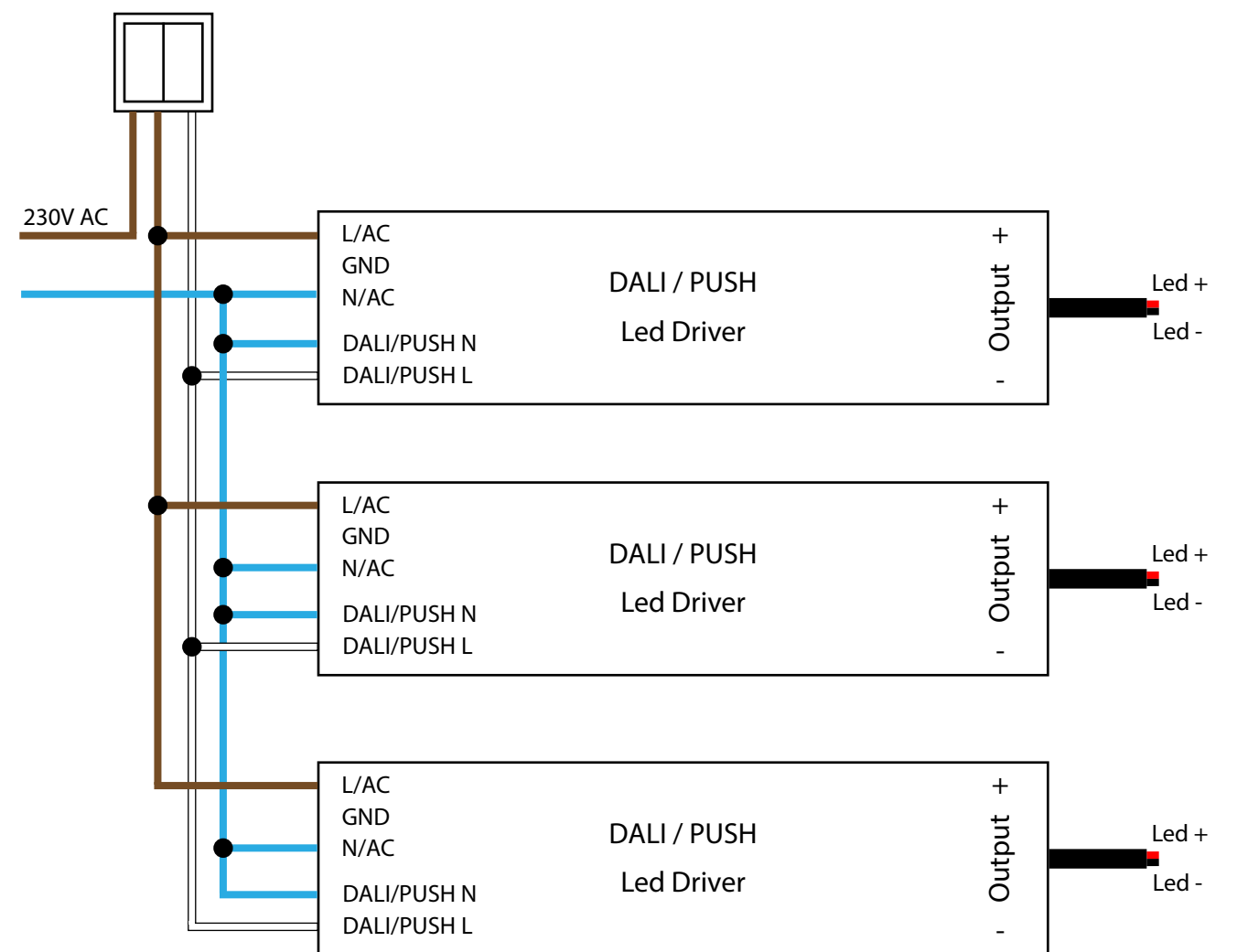
PC + DALI Master + Dæmper



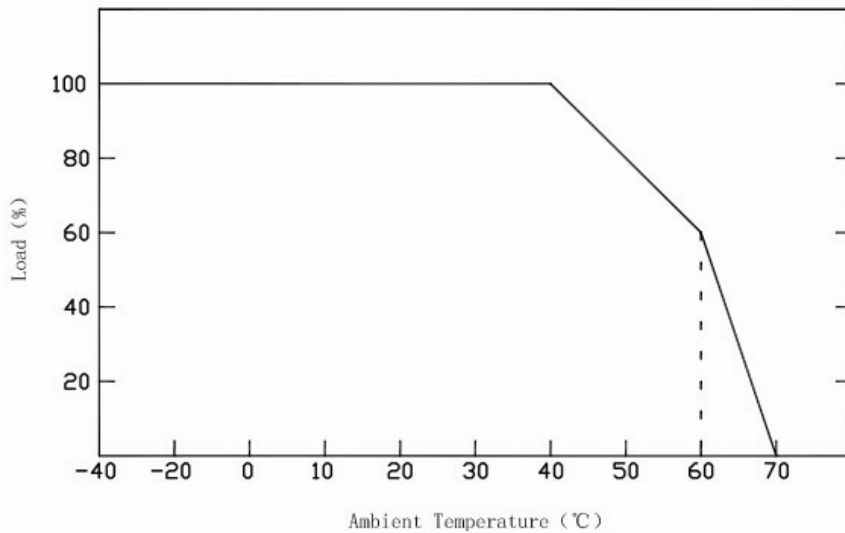
Push Dæmp



Push Dæmp On/Off



■ Derating Curve



※To extend their life, please refer to the Derating Curve and derate according to the temperature.

■ Instruction:

- 1) This driver should be installed by qualified and professional person;
- 2) Please make sure the driver is installed with adequate ventilation around it to allow for heat dissipation.
- 3) Ensure that wiring is correct before test in order to avoid light and power supply damage;
- 4) If driver Cannot work normally, don't maintain privately; Have any question, please contact ALL-Light A/S.